

- Bushing gear pump
- DIN/SAE shafts
- Bi-Directional
- Compact Design
- NPT Rear/Side ports
- Easy to mount
- Up to 3625 psi



Note: ProDrive is constantly engaged in improving its products and, therefore, reserves itself the right to modify without any further notice the characteristics shown in this material.

MODEL NUMBER CONSTRUCTION

G35 - 110 - SF - 136

G35 Series ←

Code	Flow	Displ. (in3/rev)
060	16 gpm @ 1000 RPM	3.6
082	22 gpm @ 1000 RPM	5
090	24 gpm @ 1000 RPM	5.5
100	26 gpm @ 1000 RPM	6.1
110	29 gpm @ 1000 RPM	6.7

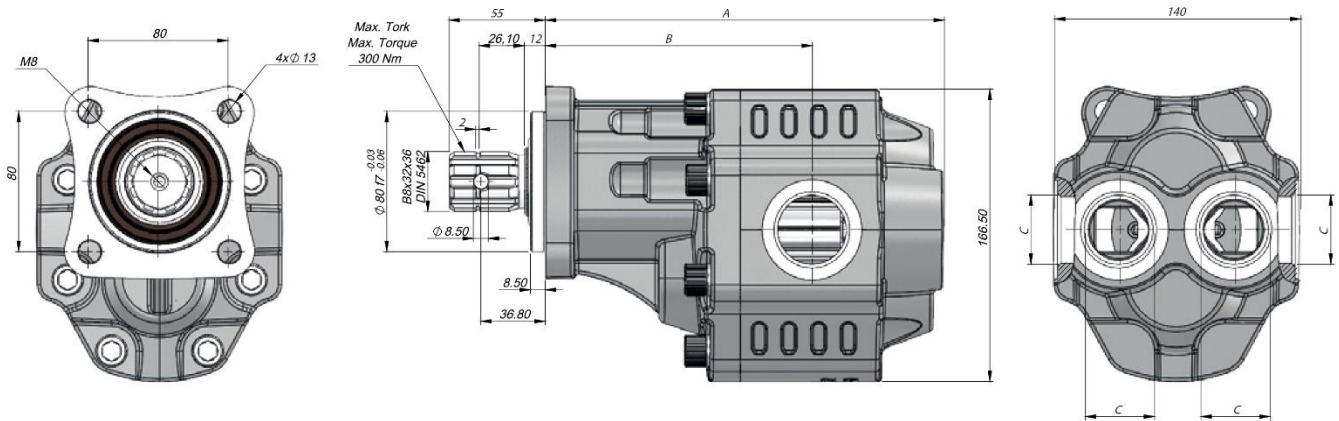
Code	Mounting Spline
136	DIN 5462 - B8x32x36
536	SAE-B 7/8" 13T
636	SAE-BB 1" 15T

Code	Mounting Flange
SF	4 Bolts ISO
BF	SAE-B/BB 2 or 4 bolts

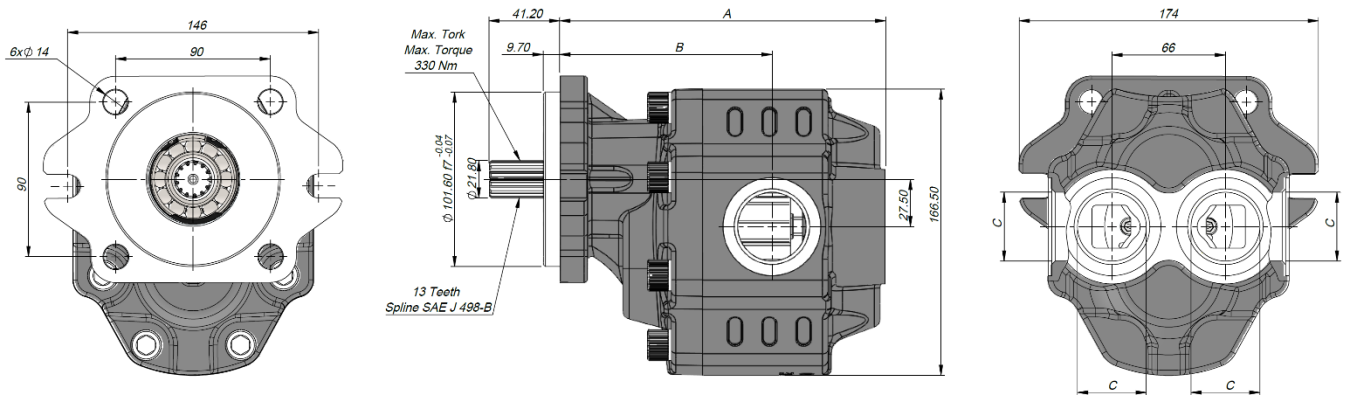
Inlet Pressure		4.35 ~29 psi	
Operating Viscosity Range		-12:100 cSt	
Fluid Temperature		-40 C +145 C	
Working Pressure	Contamination		Filter
	NAS 1638	ISO 4406	βx
>2900 psi	11	20/17	25 μm
<2900 psi	12	21/18	40 μm



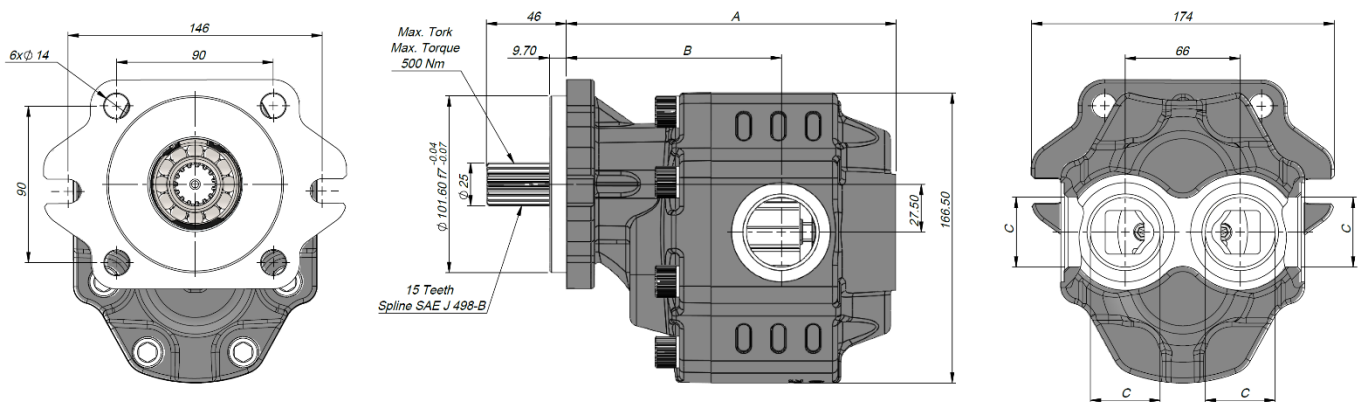
G35*SF136 - DIMENSIONS in mm**



G35*BF536 - DIMENSIONS in mm**



G35*BF636 - DIMENSIONS in mm**



G35***SF136 - Performance & Dimensions -DIN/ISO

Displac.	Max Cont. Pressure	Max Inter. Pressure	Max Peak Pressure	Max Cont. Speed	Weight	A	B	C	C
GPM	(%100)-psi	(20s Max)-psi	(6s Max)-psi	RPM	lb	mm	mm	Inlet (NPT)	Outlet (NPT)
16	3625	3916	4206	1800	36	205	146	1" NPT	
22	3480	3770	4061		38	214	148		
24	3335	3625	3916		39	218	152	1 ¼" NPT	
26	3190	3480	3770		40	218	152		
29	2973	3190	3625		41	230	154.5		

Min Speed: 300 RPM

G35***BF*** - Performance & Dimensions -SAE-B/BB

Displac.	Max Cont. Pressure	Max Inter. Pressure	Max Peak Pressure	Max Cont. Speed	Weight	A	B	C	C
GPM	(%100)-psi	(20s Max)-psi	(6s Max)-psi	RPM	lb	mm	mm	Inlet (NPT)	Outlet (NPT)
16	3625	3916	4206	1800	36	176	117	1" NPT	
22	3480	3770	4061		38	185	119		
24	3335	3625	3916		39	189	123	1 ¼" NPT	
26	3190	3480	3770		40	199	124		
29	2973	3190	3625		41	201	126		

Min Speed: 300 RPM

G35***BF*** - Sense of Rotation

