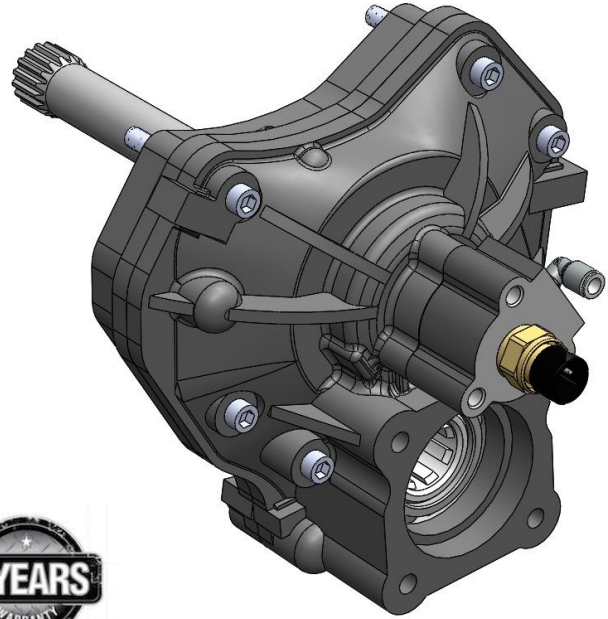


- Counter Shaft Rear Mount Power Take Off
- Detroit DT-12 Transmissions
- Aluminum Body
- Pneumatic Actuation
- Engagement Sensor



Note: Kozmaksan is constantly engaged in improving its products and, therefore, reserves itself the right to modify without any further notice the characteristics shown in this material.

MODEL NUMBER CONSTRUCTION

PDT - 12 - P - A

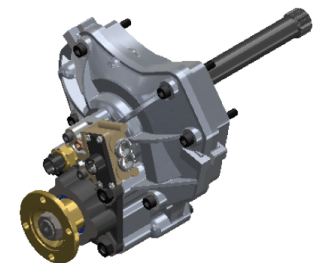
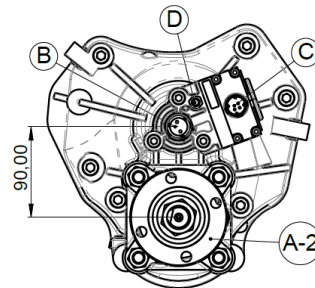
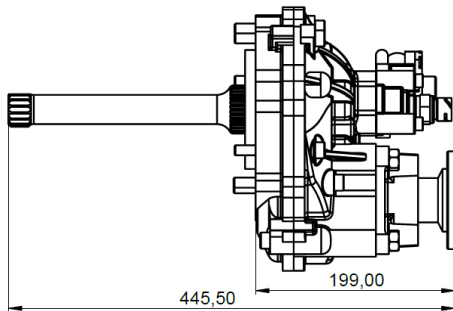
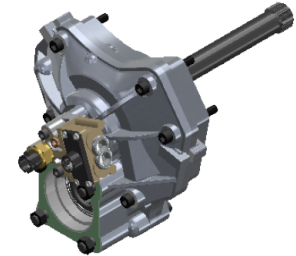
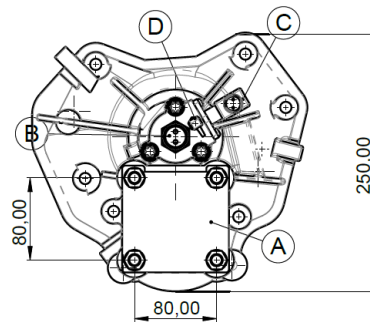
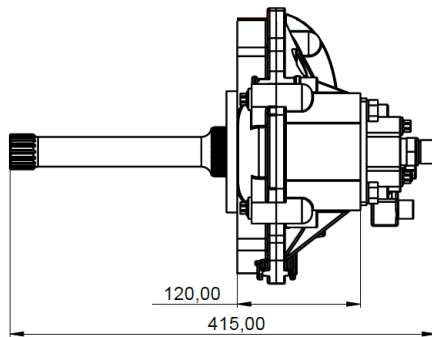
PDT Series

Code	Gear Data
12	Detroit DT12

Pneumatic Shifter

Code	Output
A	DIN 5462 ISO 4 bolt (Standard Output)
B	SAE-B 13T, 2 or 4 bolts (DIN to SAE adapter)
D	1410 comp flange (DIN to Flange adapter)

DIMENSIONS (mm) - Standard Components & Performance



Code	Description
A	DIN 5462 8x32836 ISO 4 bolts
A2	1410 comp flange

	Metric	Imperial
Power @ 1000 RPM	42 kW	56 hp
Max Torque	400 Nm	295 lb. Ft
Weight	12.5 kg	27 lb.
Sense of Rotation	Same as Engine Shaft (CCW)	

Final Speed Ratio - Compared to Engine %

PTO	AMT Overdrive		AMT Direct	
	Low	High	Low	High
PDT-12 (1:1.32 interal)	137	177	106	137