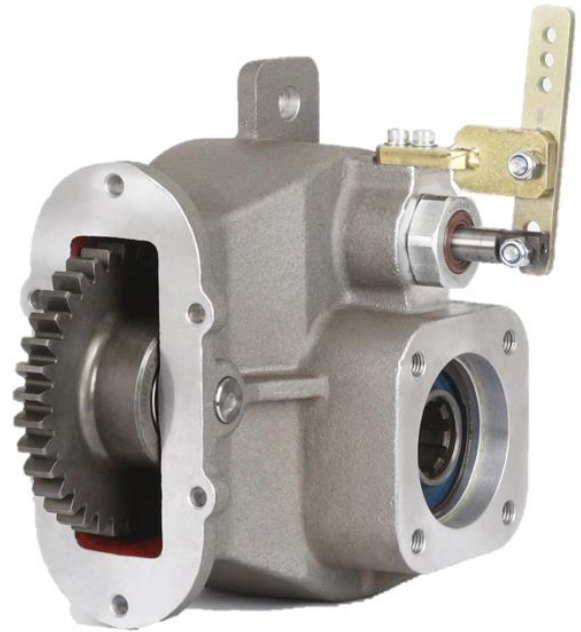


- Side Mount Power Take Off
- Toyota Land Cruiser Gearbox
- Aluminum Cast Body
- Mechanical/Pneumatic Shifter
- Internal Speed Ratio: 1:1.1



**Note:** Kozmaksan is constantly engaged in improving its products and, therefore, reserves itself the right to modify without any further notice the characteristics shown in this material.

## MODEL NUMBER CONSTRUCTION

**PTY - HJ45 - P - A**

PTY Series

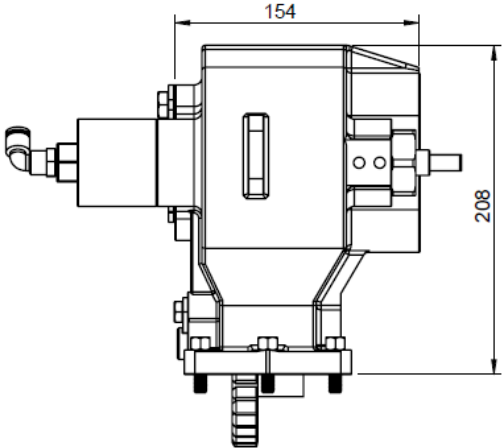
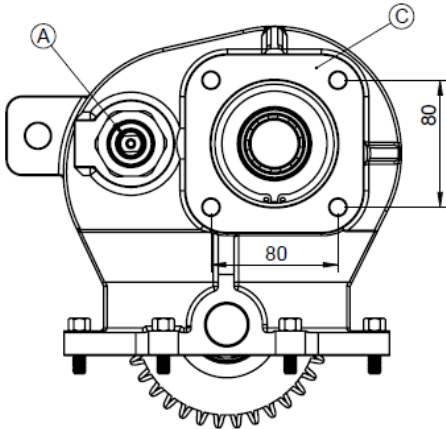
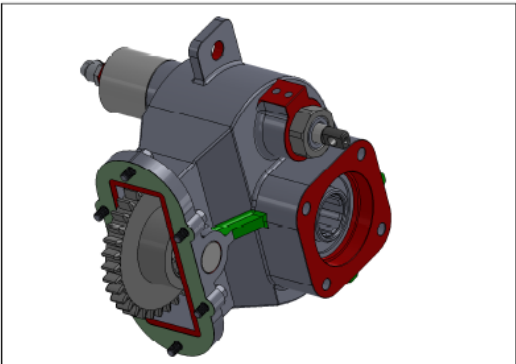
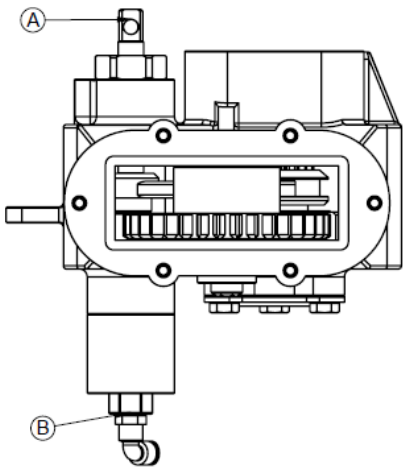
Code	Gear Data
HJ45	Toyota Land Cruiser

Mechanical/Pneumatic Shifter

Code	Output
A	DIN 5462 ISO 4 bolt (Standard Output)
B	SAE-B 13T, 2 or 4 bolts (DIN to SAE adapter)
D	1410 comp flange (DIN to Flange adapter)



**DIMENSIONS (mm) - Standard Components & Performance**



Code	Description
A	Mechanical Control
B	Air Inlet R1/4"
C	DIN 5462 8x32836 ISO 4 bolts

	Metric	Imperial
<b>Power @ 1000 RPM</b>	<b>40 kW</b>	<b>53 hp</b>
<b>Max Torque</b>	<b>382 Nm</b>	<b>281 lb. Ft</b>
<b>Weight</b>	<b>13 kg</b>	<b>29 lb.</b>
<b>Sense of Rotation</b>	<b>Same as Engine Shaft (CCW)</b>	